




SkylinePRO LED Wallpack

- Genuine replacement for 70W Metal Halide & Sodium
- Fully encapsulated IP65 TUV Certified Driver
- High impact polycarbonate lens
- Bridgelux COB LED
- Up to 65% energy saving
- 50000 hours
- 5 year guarantee³
- Suitable for 20mm conduit entry

Options

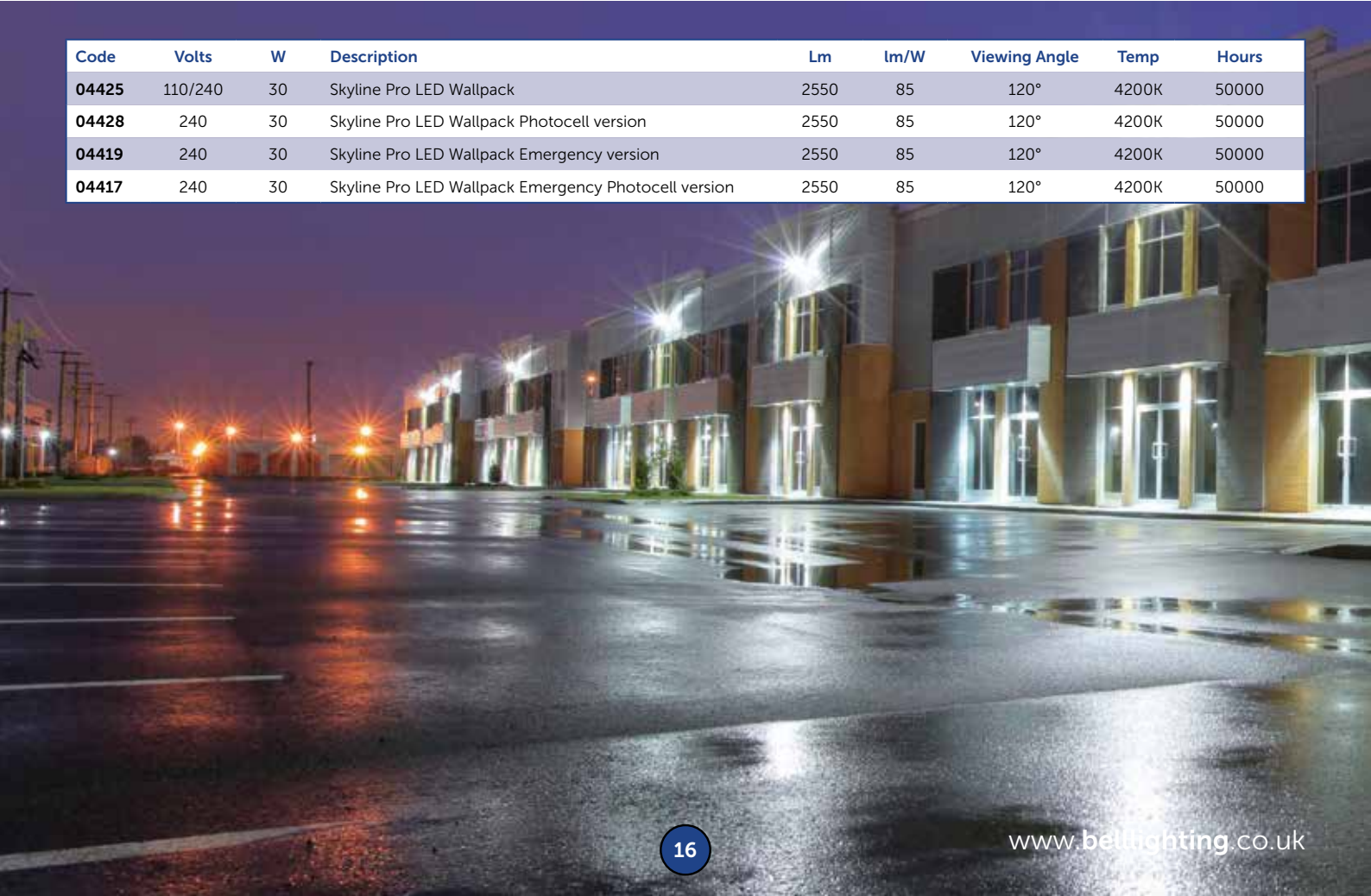
- Photocell version complete with Lucy Zodion  miniature photocell (55 lux)
- Emergency/Emergency Photocell version (depth 182mm)



30W  57%




Code	Volts	W	Description	Lm	lm/W	Viewing Angle	Temp	Hours
04425	110/240	30	Skyline Pro LED Wallpack	2550	85	120°	4200K	50000
04428	240	30	Skyline Pro LED Wallpack Photocell version	2550	85	120°	4200K	50000
04419	240	30	Skyline Pro LED Wallpack Emergency version	2550	85	120°	4200K	50000
04417	240	30	Skyline Pro LED Wallpack Emergency Photocell version	2550	85	120°	4200K	50000

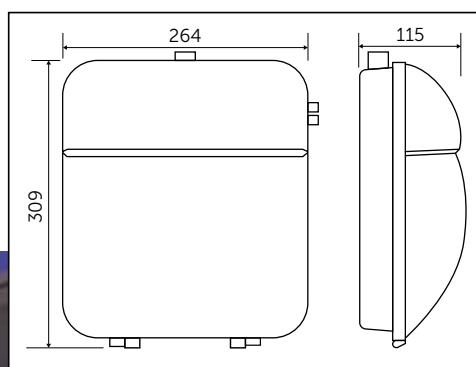




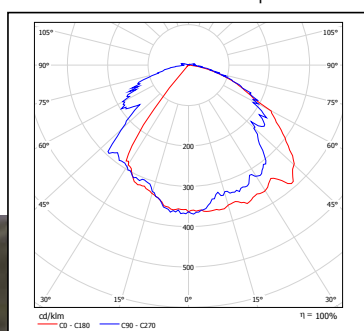
SkylinePRO

Technical Specification

Data	
Construction	Die Cast Aluminium Base / PVC Cover
Driver	Meanwell 
LED Chip	Bridgelux
IP Rating	IP65
Operating Temp	-30°C to +35°C
Input Voltage	100 - 240V
Power Factor	> 0.9
CRI	85 - Exceeds EU standard of Ra 80 for Colour Rendering Index
LMR	80 - Exceeds EU standard of 70 for Lumens Maintenance Ratio
ECA Compliant	Yes



04425/04428 Wallpack



¹ Exceeds EU standard of 70 for Lumens Maintenance Ratio
² Exceeds EU standard of Ra 80 for Colour Rendering Index
³ Subject to terms & conditions (Contact Customer Service)